

## Fig. 3300LS Angle Lockshield

### FEATURES AND BENEFITS

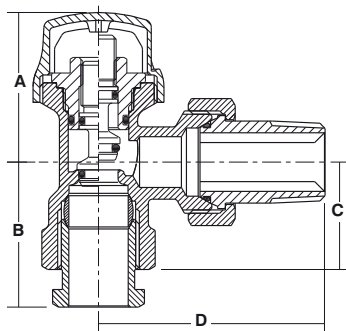
- Regulates the fluid flow to radiators of the central heating system
- Prevents unwanted temperature rises and achieves considerable energy savings
- Suitable for installations where durability and rugged construction are predominant



### MATERIAL SPECIFICATION

Component	Material	Specification BS EN
Body	Brass (Chrome Plated)	BS EN 12164 CW617N
Lockshield Assembly	Brass	BS EN 12164 CW614N
Lockshield Cap	Thermoplastic	ABS
Tailpiece Ring	Brass	BS EN 12164 CW617N
Tailpiece	Brass	BS EN 12164 CW617N
Compression Olive	Brass	BS EN 12164 CW602N
Compression Adaptor	Brass	BS EN 12164 CW614N
Hydraulic Seals	Rubber	EPDM

### DIMENSIONAL DRAWINGS



### DIMENSIONS AND WEIGHTS

Nom Size	mm	15	22
A	mm	36.5	40.5
B	mm	38.5	39.5
C	mm	27.5	30.5
D	mm	58	66
Body Weight	kg	0.232	0.387

Every effort has been made to ensure that the information contained in this publication is accurate at the time of publishing. Hattersley Ltd assumes no responsibility or liability for typographical errors or omissions or for any misinterpretation of the information within the publication and reserves the right to change without notice.